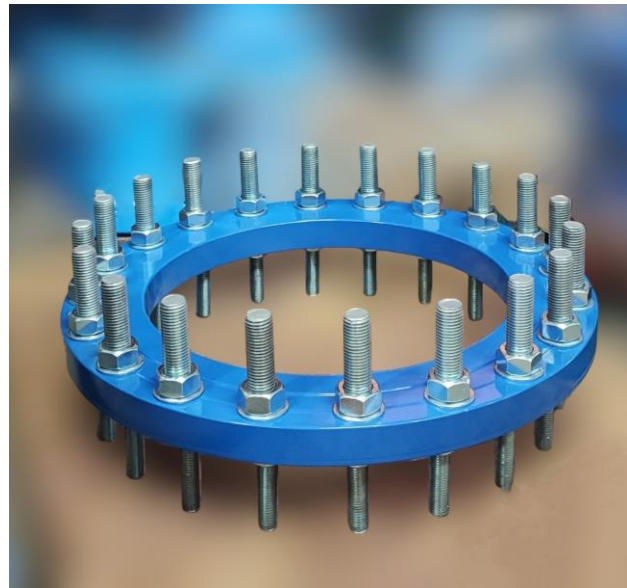




## Reduction flange XR type A, Type B



Reducing flanges enable joining armature of differing nominal diameters and flange drilling.

Kołnierze umożliwiają połączenie armatury o różnych średnicach nominalnych i owierceniach.

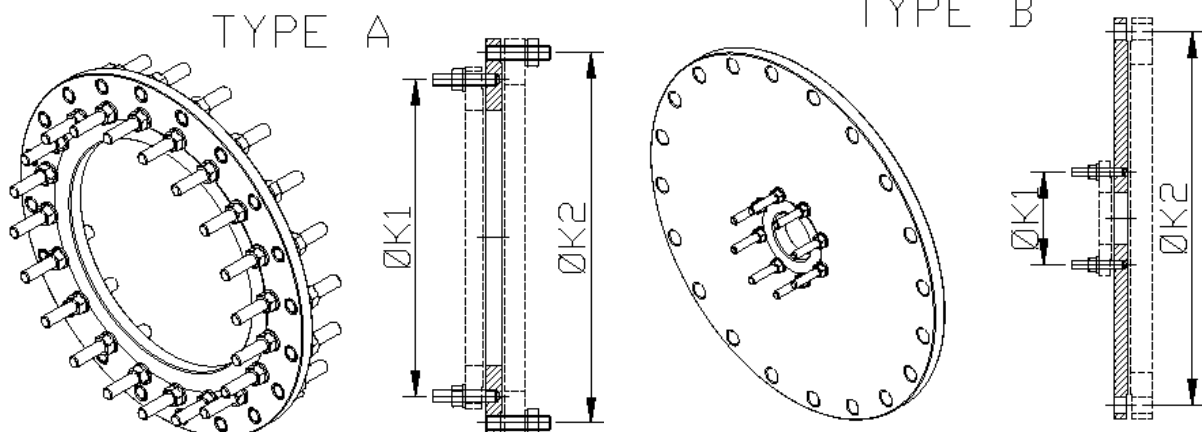
Фланцы осуществляют соединение арматуры различных номинальных диаметров и резьб.

### Type A

- Rods/Studs on both sides of XR. It's possibility to design and produce flanges according to individual customer needs. There are many connection possibilities depending on nominal pressure PN10/16 or diameter DN50/DN1000

### Type B

- In the bigger diameter are threaded holes; in the smaller diameter are Rods/studs. XR reducer flanges are made of steel S235JR. All products are Epoxy coated by Akzo Nobel Reasicoat R4 with minimum (Resicoat®) with min. thickness of 250 μm





DN	Typ	K1				K2			Kg
		K1	Il. śrub	Wymiar	d	K2	Il. śrub	Wymiar	
50/40	A	125	4	M16X50		110	4	M16X50	5,1
65/40	A	145	4	M16X50		110	4	M16X50	5,7
65/50	A	145	4	M16X50		125	4	M16X50	5,6
80/50	A	160	8	M16X50		125	4	M16X50	5,6
80/65	A	160	8	M16X50		145	4	M16X50	5,4
<b>80/80</b>	A	160	8	M16X50		160	4	M16X50	5,2
100/50	A	180	8	M16X50		125	4	M16X50	6,3
100/65	A	180	8	M16X50		145	4	M16X50	6,5
100/80	A	180	8	M16X50		160	8	M16X50	6,9
<b>100/100</b>	A	180	8	M16X50		180	8	M16X50	8,3
125/50	A	210	8	M16X50		125	4	M16X50	8,2
125/65	A	210	8	M16X50		145	4	M16X50	8,1
125/80	A	210	8	M16X50		160	8	M16X50	8,0
125/100	A	210	8	M16X50		180	8	M16X50	7,6
<b>125/125</b>	A	210	8	M16X50		210	8	M16X50	9,5
150/50	B	240	8		23	125	4	M16X50	11,0
150/65	B	240	8		23	145	4	M16X50	10,8
150/80	B	240	8		23	160	8	M16X50	10,7
150/100	A	240	8	M20X60		180	8	M16X50	9,7
150/125	A	240	8	M20X60		210	8	M16X50	11,2
<b>150/150</b>	A	240	8	M20X60		240	8	M20X60	13,5
200/80	B	295	8		23	160	8	M16X50	14,7
200/100	B	295	8		23	180	8	M16X50	14,5
200/125	B	295	8		23	210	8	M16X50	13,7
200/150	A	295	8	M20x60		240	8	M20x60	13,5
<b>200/200</b>	A	295	12	M20X60		295	8	M20X60	16,5
225/200	A	325	12	M20X60		295	8	M20X60	19,0
250/80	B	350	12		23	160	8	M16X50	22,1
250/100	B	350	12		23	180	8	M16X50	21,9
250/125	B	350	12		23	210	8	M16X50	21,5
250/150	B	350	12		23	240	8	M20X60	20,0
250/200	A	350	12	M20X60		295	8	M20X60	21,3
250/225	A	350	12	M20X60		325	8	M20X60	20,8
<b>250/250</b>	A	355	12	M20X60		350	12	M20X60	25,0
300/80	B	400	12		23	160	8	M16X50	27,5
300/100	B	400	12		23	180	8	M16X50	27,1
300/125	B	400	12		23	210	8	M16X50	26,9
300/150	B	400	12		23	240	8	M20X60	26,0
300/200	B	400	12		23	295	8	M20X60	24,8
300/250	A	400	12	M20X60		350	12	M20X60	22,6
<b>300/300</b>	A	410	12	M24X70		400	12	M20X60	36,0
450/300	B	565	20			400	12	M20X60	55,0
<b>450/450</b>	A	565	20	M24x70		570	12	M24x70	100
500/450	A	620	20	M24x70		565	20	M24x70	110,0
600/500	A	725	20	M27x80		620	20	M24x70	120,0

Uwaga: wymiary dotyczą kołnierzy na PN 10, a zapisane kursywą i wytłuszczone dotyczą kołnierzy z różną liczbą śrub po obu stronach lub kołnierzy PN16/PN 10. Na żądanie możliwe jest inne wykonanie.

Warning: The above dimensions are for flanges PN 10, except for dimensions printed in italics, which are for PN16/PN10 or have a different number of screws on both sides of the flange. Other possibilities on request.